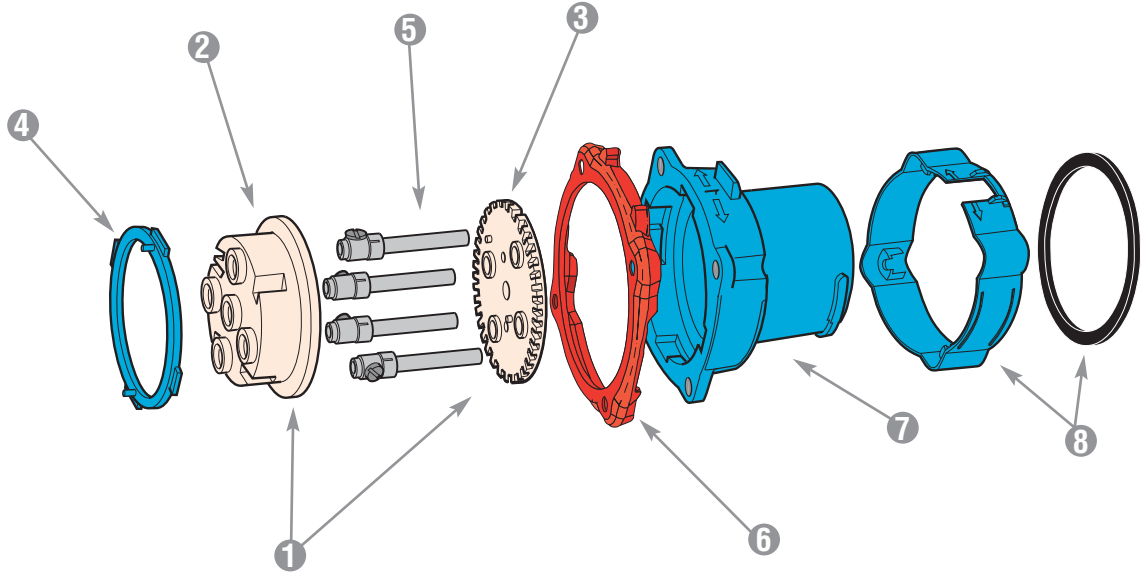









# Spare Parts Male Configuration



	DS20 POLY	DS30 POLY	DS60 POLY	DS60 METAL	DS100C POLY	DS100C METAL	DS100 POLY	DS100 METAL	DS200 METAL
1 = Plug Interior***	31-1A010*	31-3A010*	31-6A010*	31-6A010*	31-6A010-C*	31-6A010-C*	31-9A010*	39-9A010*	39-2A010*
1 = Plug Interior with Ground Contacts	-	-	-	39-6A110*	-	39-6A110-C*	-	39-9A110*	39-2A110*
2 = Interior Bottom	31-1A010-B	31-3A010-B	31-6A010-B	31-6A010-B	31-6A010-C-B	31-6A010-C-B	31-9A010-B	39-9A010-B	39-2A010-B
3 = Interior Top	31-1A010-T*	31-3A010-T*	31-6A010-T*	31-6A010-T*	31-6A010-C-T*	31-6A010-C-T*	31-9A010-T*	39-9A010-T*	39-2A010-T*
4 = Polyester Locking Ring	31-1A583	31-3A583	31-6A583	-	31-6A583	-	31-9A583	-	-
4 = Metal Locking Ring	-	-	-	39-6A583	-	39-6A583	-	39-9A583	39-2A583
5 = Plug Contact	31-1A011	31-3A011-380	31-6A011	31-6A011	31-6A011-C	31-6A011-C	39-9A011	39-9A011	39-2A011
6 = Color-Coded Voltage Gasket	 31-1AB26	31-3AB26	31-6AB26	31-6AB26	31-6AB26	31-6AB26	31-9AB26	31-9AB26	39-2AB26
	 31-1AC26	31-3AC26	31-6AC26	31-6AC26	31-6AC26	31-6AC26	31-9AC26	31-9AC26	39-2AC26
	 31-1AR26	31-3AR26	31-6AR26	31-6AR26	31-6AR26	31-6AR26	31-9AR26	31-9AR26	39-2AR26
	 31-1AN26	31-3AN26	31-6AN26	31-6AN26	31-6AN26	31-6AN26	31-9AN26	31-9AN26	39-2AN26
	 31-1AC26	31-3AC26	31-6AC26	31-6AC26	31-6AC26	31-6AC26	31-9AC26	31-9AC26	39-2AC26
7 = Plug Polyester Casing	31-1A014**	31-3A014**	31-6A014**	-	31-6A014**	-	31-9A014**	-	-
7 = Plug Metal Casing	-	-	-	39-6A014**	-	39-6A014**	-	39-9A014**	39-2A014**
Ground Ring (Not Shown)	-	-	-	39-6A523	-	39-6A523	-	39-9A523P	39-2A523
8 = HP Gasket and Ring	31-1A677	31-3A677	39-6A677	39-6A677	39-6A677	39-6A677	-	39-9A677	39-2A677

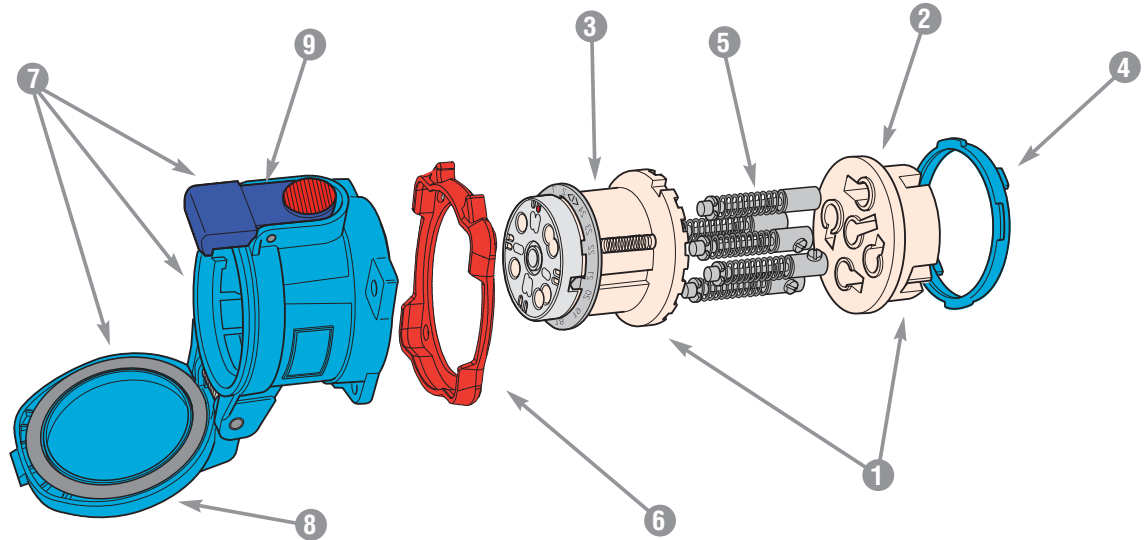
\* Voltage and phasing positions must be specified (5th, 6th & 7th digit of Part #) to duplicate your shutter and alignment notches.






\*\* For appropriate labeling on a device, please specify voltage, phasing, and product type

\*\*\*For interiors with pilot contacts, contact Customer Service for part numbers.

# Spare Parts Female Configuration

DS



	DS20 POLY	DS30 POLY	DS60 POLY	DS60 METAL	DS100C POLY	DS100C METAL	DS100 POLY	DS100 METAL	DS200 METAL
① = Receptacle Interior***	31-1A020*	31-3A020*	31-6A020*	31-6A020*	31-6A020-C*	31-6A020-C*	31-9A020*	39-9A020*	39-2A020*
① = Receptacle Interior with Ground Contacts	-	-	-	39-6A220*	-	39-6A220-C*	-	39-9A220*	39-2A220*
② = Interior Bottom	31-1A020-B	31-3A020-B	31-6A020-B	31-6A020-B	31-6A020-C-B	31-6A020-C-B	31-9A020-B	39-9A020-B	39-2A020-B
③ = Interior Top	31-1A020-T*	31-3A020-T*	31-6A020-T*	31-6A020-T*	31-6A020-C-T*	31-6A020-C-T*	31-9A020-T*	39-9A020-T*	39-2A020-T*
④ = Polyester Locking Ring	31-1A583	31-3A583	31-6A583	-	31-6A583	-	31-9A583	-	-
④ = Metal Locking Ring	-	-	-	39-6A583	-	39-6A583	-	39-9A583	39-2A583
⑤ = Receptacle Contact	31-1A021	31-3A021-380	31-6A021	31-6A021	31-6A021-C	31-6A021-C	39-9A021	39-9A021	39-2A021
⑥ = Color-Coded Voltage Gasket	 31-1AB26	31-3AB26	31-6AB26	31-6AB26	31-6AB26	31-6AB26	31-9AB26	31-9AB26	39-2AB26
	 31-1AC26	31-3AC26	31-6AC26	31-6AC26	31-6AC26	31-6AC26	31-9AC26	31-9AC26	39-2AC26
	 31-1AR26	31-3AR26	31-6AR26	31-6AR26	31-6AR26	31-6AR26	31-9AR26	31-9AR26	39-2AR26
	 31-1AN26	31-3AN26	31-6AN26	31-6AN26	31-6AN26	31-6AN26	31-9AN26	31-9AN26	39-2AN26
	 31-1AC26	31-3AC26	31-6AC26	31-6AC26	31-6AC26	31-6AC26	31-9AC26	31-9AC26	39-2AC26
⑦ = Receptacle Polyester Casing with Lid	31-1A024**	31-3A024**	31-6A024**	-	31-6A024**	-	31-9A024**	-	-
⑦ = Receptacle Metal Casing with Lid	-	-	-	-39-6A024**	-	39-6A024**	-	39-9A024**	39-2A024**
Ground Ring (Not Shown)	-	-	-	-39-6A523	-	39-6A523	-	39-9A523	39-2A523
⑧ = Lid Replacement Kit Polyester	31-1A125	31-3A125	31-6A125	-	31-6A125	-	31-9A125	-	-
⑧ = Lid Replacement Kit Metal	-	-	-	39-6A925	-	39-6A925	-	39-9A925	39-2A925
⑨ = Pawl Replacement Kit Polyester	31-1A824	31-3A824	31-6A824	-	31-6A824	-	31-9A824	-	-
⑨ = Pawl Replacement Kit Metal	-	-	-	39-6A824	-	39-9A824	-	39-9A824	39-2A824

\* Voltage and phasing positions must be specified (5th, 6th & 7th digit of Part #) to duplicate your shutter and alignment notches.

\*\* For appropriate labeling on a device, please specify voltage, phasing, and product type.

\*\*\*For interiors with pilot contacts, contact Customer Service for part numbers.

For replacement parts contact customer service at 800.433.7642